

FF-L-2890C

GSA APPROVED

Type I - Push Pull Standalone Access Control (NEW)
Type II - Push Pull Existing Access Control Model



Shown with Key Override Function

Compliance & Certifications

FF-L-2890C
GSA Approved
U.L. Fire Rated
NFPA 80 & 101 Life Safety
Grade 1

Push Pull Handle Models

Type I & II

The LockOne® Lock Series provides high security locking while maintaining single motion egress. These devices are compatible with any high security combination lock meeting FF-L-2740B, as well as a variety of access control devices. All LKM10K Models' life safety and security features meet FF-L-2890C. The combination lock represents the first level of security. The access control device represents the second level of security. The Push Pull Models include an optional Key Override Function, which can override the access control device in the event of a power failure or malfunction.

BENEFITS

Interchangeable - You can install the LockOne™ Lock Series in your facility to maintain a consistent look as the exterior trim has not changed.

Retrofittable - Simply remove the existing LKM7000 and attach our retrofit fixture, modify a few existing holes then install either the Type I or II model (sold separately).

Field Tested - With thousands of LKM10Ks in use today the improvements made will exceed your expectations.

Key Override Option - A separate module is no longer necessary for this option. Key Override is standard on all LKM10K models. However, it is optional to utilize, so it can be added with little effort at a later date if necessary. Key Override because it allows a key to "override" the access control device only. It will not override the combination lock. This capability is particularly important during the event of power outage, failure or malfunction of an access control device, or an emergency that requires expedited entry.

Note: Cylinder not included

Ease of Operation - The internal linear bearing allows for easy entry and exit even with heavy loads applied to the door.

TYPES Standalone Access Control

Type I - Is provided with the 12V Security Door Controls (SDC) 920 keypad & power supply for use as standalone access control.

Type II - Is for use with existing integrated access control system.



Access Control SDC Keypad
Provided with Type I Lock Package

National Stock Numbers

Push Pull Models

X-10 Lock #2 Strike - 5340-01-678-6698
X-10 Lock #3 Strike - 5340-01-674-4206
X-10 Lock #9 Strike - 5340-01-678-6420

Providing **Life Safety**
and **High Security**

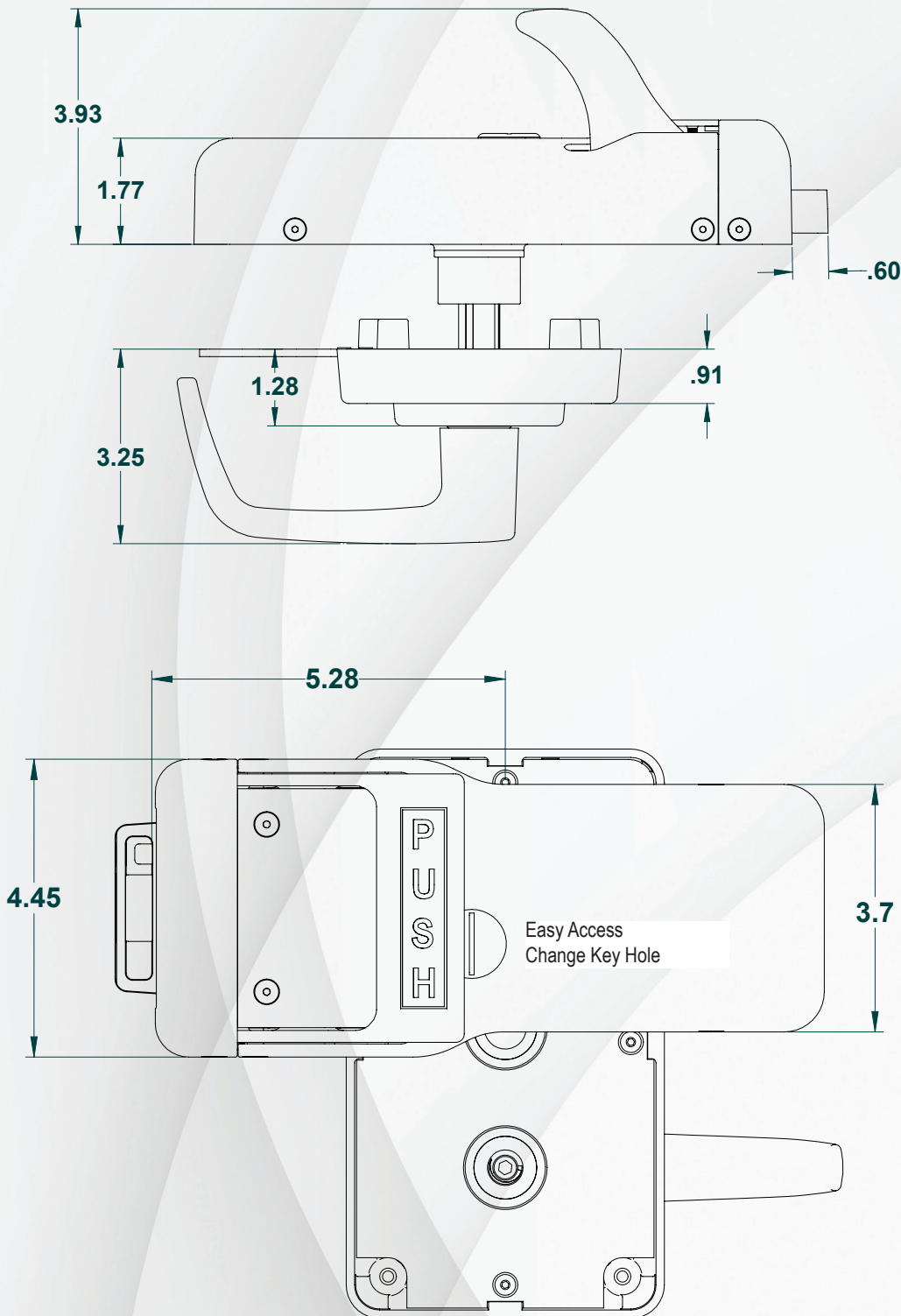
LKM10K
High Security Life Safety Exit Device

Push Pull Model Interior Base Plate

GSA APPROVED

Type I - Push Pull Standalone Access Control (NEW)

Type II - Push Pull Existing Access Control Model



Specifications

Materials

Lock Housing - Stainless Steel

Finish - Stainless Steel & Black Powder Coat

Stainless Steel Deadbolt

Deadlocking, 7/16" throw

Encapsulated

Lock

Supplied with your choice of lock meeting

FF-L-2740B

Door Thickness

Minimum 1-1/8" - 2"; Maximum 2 5/8"

Spindle extension available for 3" doors

Door Types

Single or Double hung

Inswing or Outswing

Hollow Metal or Wood

Metal or Wood Frames

Handing

Non-handed

Monitoring Switches

Deadbolt Switch - monitors the Pedestrian Device Bolt (Request to Exit - REX)

Combination Lock Switch - monitors the FF-L-2740B Combination Lock Bolt

Entry Monitoring Switch - monitors the Lever Handle

Access Control

Accepts 12 or 24 volts DC - requires 1 amp

Keypad installs adjacent to or on door slab

Key Override Cylinder

Accepts 1-1/8" rim cylinder

Horizontal tailpiece orientation

Cylinder NOT included

Strike Test

A 6,000 lb force was applied to each type of strike in the direction of the door swing.

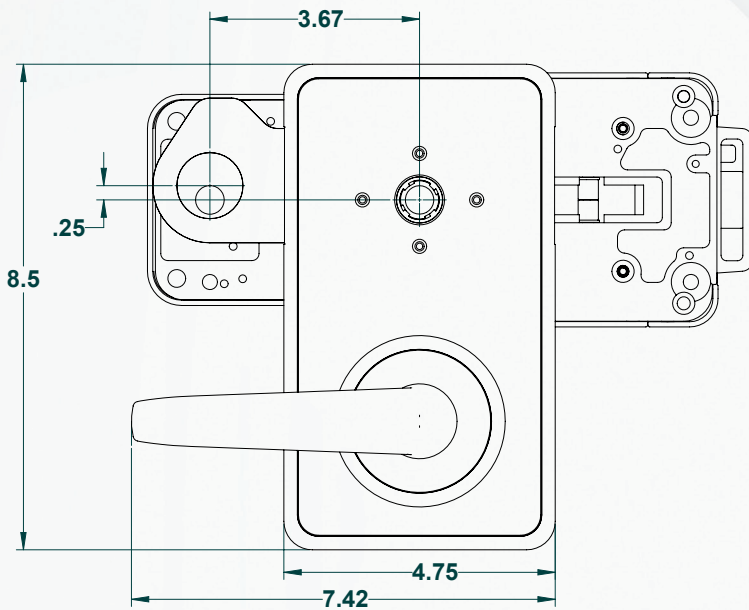
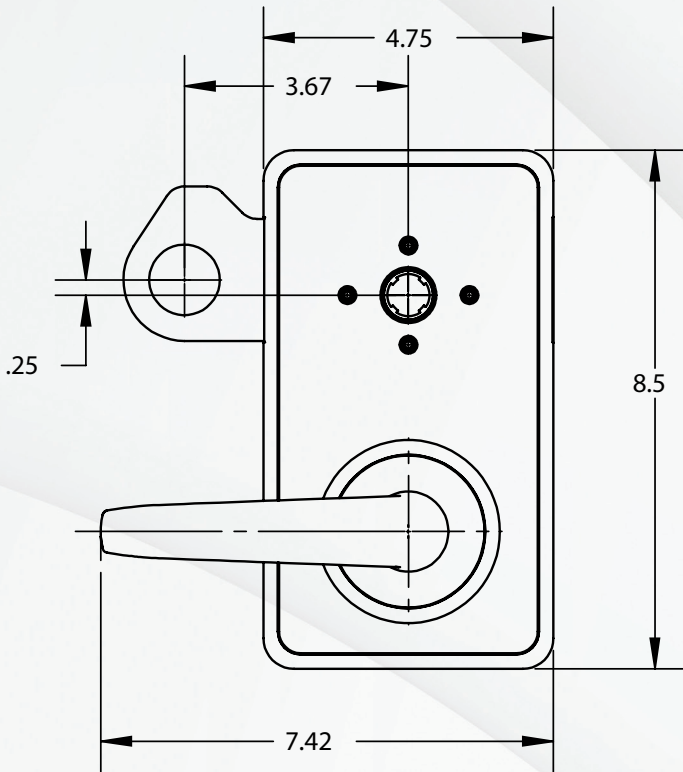
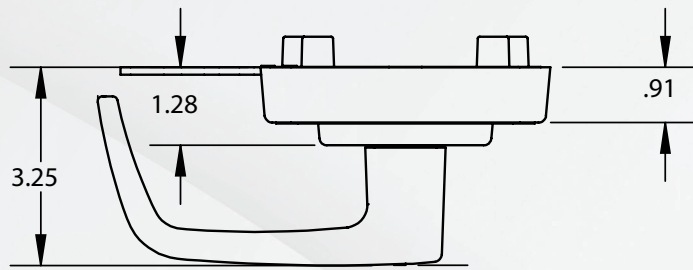
Warranty

2 year from date of manufacture

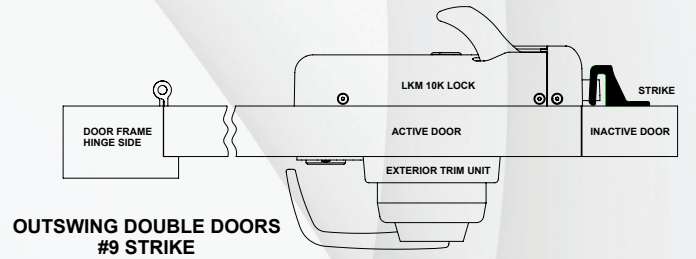
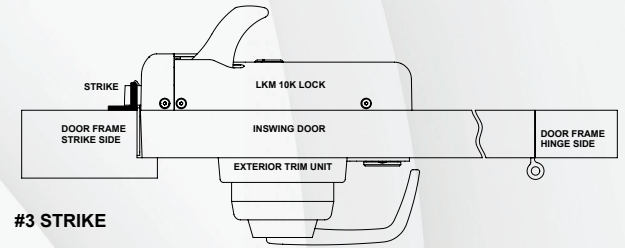
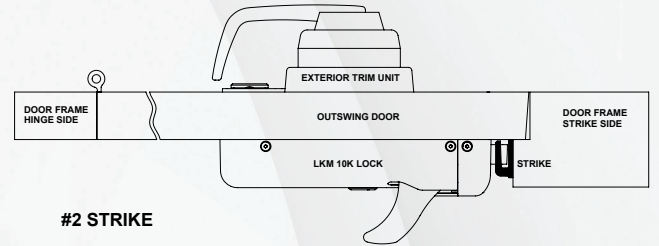
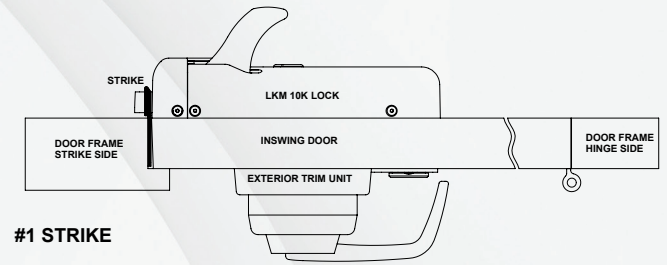
Providing **Life Safety**
and **High Security**

LKM10K
High Security Life Safety Exit Device

Exterior Trim with Fire Rated Key Override Installed



Exclusive Adjustable Stainless Steel Strikes



Push Pull Models Part Numbers - Types I & II

Part Number	Type/Model	Door Application	Lock Options	Access Control	Strike Options
Type I - For Use with provided standalone access control					
LKM10KHX10SAS1	Type I - Push Pull Model with Standalone Access Control	Primary Door For Use with Inswing Door	Kaba Mas X-10	Standalone SDC 920 Provided	1
LKM10KHX10SAS2	Type I - Push Pull Model with Standalone Access Control	Primary Door For Use with Outswing Door	Kaba Mas X-10	Standalone SDC 920 Provided	2
LKM10KHX10SAS3	Type I - Push Pull Model with Standalone Access Control	Primary Door For Use with Inswing Metal Frame Door	Kaba Mas X-10	Standalone SDC 920 Provided	3
LKM10KHX10SAS9	Type I - Push Pull Model with Standalone Access Control	Primary Door For Use with Pair of Doors	Kaba Mas X-10	Standalone SDC 920 Provided	9
LKM10KH2740SAS1	Type I - Push Pull Model with Standalone Access Control	Primary Door For Use with Inswing Door	S&G 2740B	Standalone SDC 920 Provided	1
LKM10KH2740SAS2	Type I - Push Pull Model with Standalone Access Control	Primary Door For Use with Outswing Door	S&G 2740B	Standalone SDC 920 Provided	2
LKM10KH2740SAS3	Type I - Push Pull Model with Standalone Access Control	Primary Door For Use with Inswing Metal Frame Door	S&G 2740B	Standalone SDC 920 Provided	3
LKM10KH2740SAS9	Type I - Push Pull Model with Standalone Access Control	Primary Door For Use with Pair of Doors	S&G 2740B	Standalone SDC 920 Provided	9
Type II - For Use with integrated Access Control					
LKM10KHX10S1	Type II - Push Pull Handle	Primary Door For Use with Inswing Door	Kaba Mas X-10	Existing	1
LKM10KHX10S2	Type II - Push Pull Handle	Primary Door For Use with Outswing Door	Kaba Mas X-10	Existing	2
LKM10KHX10S3	Type II - Push Pull Handle	Primary Door For Use with Inswing Metal Frame Door	Kaba Mas X-10	Existing	3
LKM10KHX10S9	Type II - Push Pull Handle	Primary Door For Use with Pair of Doors	Kaba Mas X-10	Existing	9
LKM10KH2740S1	Type II - Push Pull Handle	Primary Door For Use with Inswing Door	S&G 2740B	Existing	1
LKM10KH2740S2	Type II - Push Pull Handle	Primary Door For Use with Outswing Door	S&G 2740B	Existing	2
LKM10KH2740S3	Type II - Push Pull Handle	Primary Door For Use with Inswing Metal Frame Door	S&G 2740B	Existing	3
LKM10KH2740S9	Type II - Push Pull Handle	Primary Door For Use with Pair of Doors	S&G 2740B	Existing	9